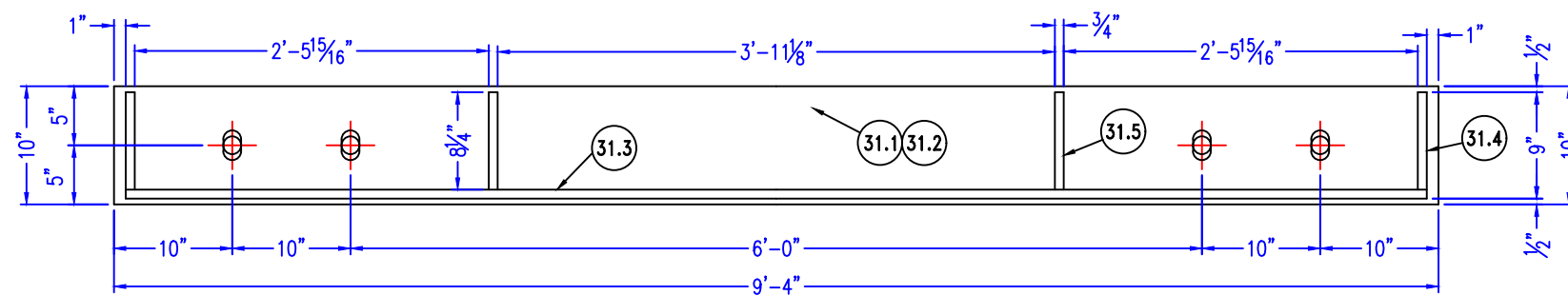
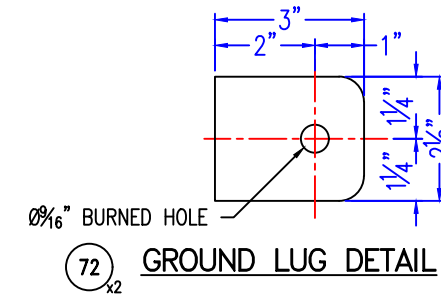


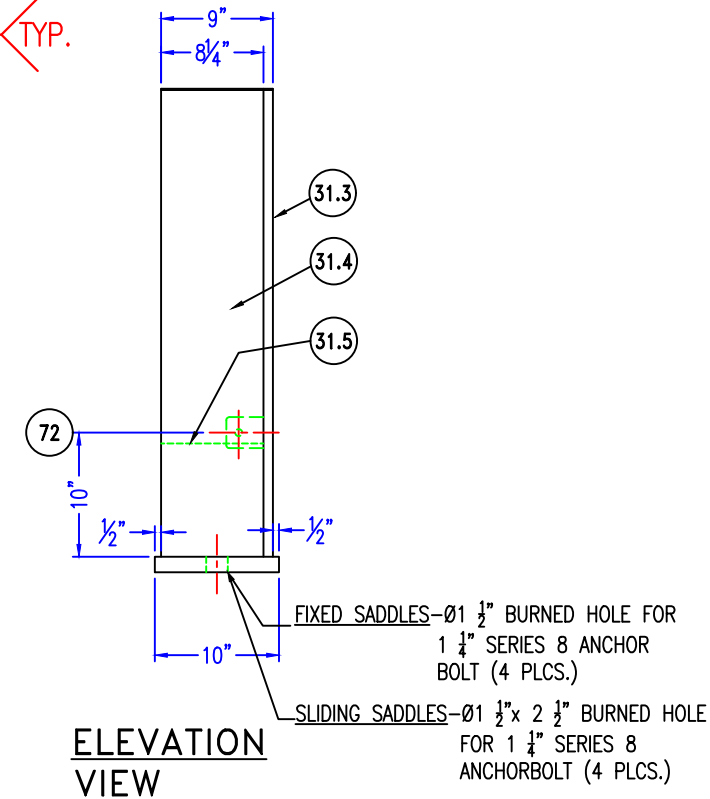
END VIEW



TOP VIEW



72 GROUND LUG DETAIL



ELEVATION VIEW

TOLERANCES
WELD ASS'Y +/- 1/8"

REVISIONS					
NO	DESCRIPTION	BY	DATE	CHK	DATE
A	SUBMITTED FOR APPROVAL	WD	11/26/19		
B	RESUBMITTED FOR APPROVAL	WD	3/19/20		
C	RESUBMITTED FOR APPROVAL	WD	4/2/20		
D	RELEASED FOR FABRICATION	WD	4/7/20		
AB	SHOWN AS FABRICATED	WD	6/24/20		

BILL OF MATERIALS				
*QTY	PART#	PART NAME	DESCRIPTION	MATERIAL
1	31.1	FIXED SADDLE BASE	PL 1 1/4" THK. x 10" x 9'-4"	SA-516-70
1	31.2	SLIDING SADDLE BASE	PL 1 1/4" THK. x 10" x 9'-4"	SA-516-70
2	31.3	WEB	PL 3/4" THK. x 3'-1 3/4" x 9'-7 3/4" BURNED SHAPE	SA-516-70
4	31.4	OUTSIDE RIB	PL 3/4" THK. x 8 1/4" x 3'-1 13/16"	SA-516-70
4	31.5	INSIDE RIB	PL 3/4" THK. x 8 1/4" x 9 1/8"	SA-516-70
◆2	72	GROUNDING LUG	PL 1/4" THK. x 2 1/2" x 3" w/BURNED HOLE	SA-516-70

* QTY. SHOWN IS FOR 1 VESSEL (2 SADDLES)

THIS DRAWING IS THE PROPERTY OF TRANSTECH FABRICATION IN CONSIDERATION OF THE USE OF THIS DRAWING, THE USER AGREES THAT IT SHALL BE TREATED AS CONFIDENTIAL MATERIAL. THAT IT SHALL BE RETURNED UPON REQUEST, AND THAT THE CONTENTS THEREOF SHALL NOT BE DISCLOSED, REPRODUCED, COPIED, OR OTHERWISE DISPOSED OF DIRECTLY OR INDIRECTLY, NOR SHALL IT BE USED FOR ANY PURPOSE OTHER THAN THAT FOR WHICH IT IS SPECIFICALLY FURNISHED, EXCEPT BY WRITTEN PERMISSION OF TRANSTECH FABRICATION.

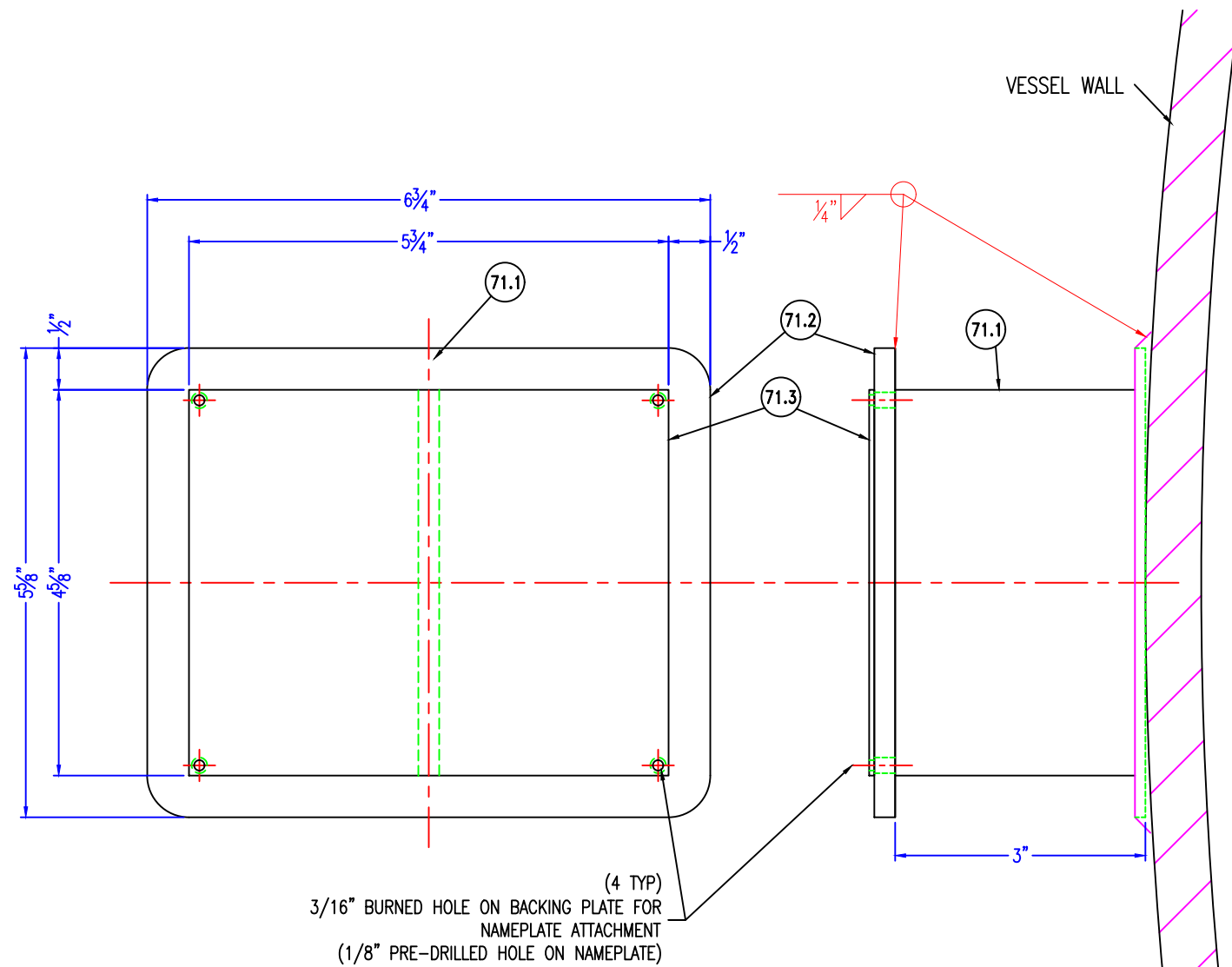
TRANSTECH FABRICATION

2201 JUDITH ROAD P.O. BOX 337 TEL: 254-840-3355
MCGREGOR, TEXAS 76657 FAX: 254-840-3358

CUSTOMER: TRANSTECH ENERGY

DESCRIPTION: 30,000 GALLON STORAGE VESSEL
10'-10 1/4" ID x 39'-6" S/S HORIZONTAL VESSEL
SADDLE SUBASSEMBLY

SCALE: NTS W.O. NO. ---
DRAWN: WD DATE: 2/5/18 CUSTOMER W.O. ---
CHKD: DWG. NO. 753-(1) SHT S31 REV -AB-
DATE:



TOLERANCES
WELD ASS'Y +/- 1/8"

REVISIONS					
NO	DESCRIPTION	BY	DATE	CHK	DATE
A	SUBMITTED FOR APPROVAL	WD	11/26/19		
B	RESUBMITTED FOR APPROVAL	WD	3/19/20		
C	RESUBMITTED FOR APPROVAL	WD	4/2/20		
O	RELEASED FOR FABRICATION	WD	4/7/20		
AB	SHOWN AS FABRICATED	WD	6/24/20		



2201 JUDITH ROAD P.O. BOX 337 TEL: 254-840-3355
MCGREGOR, TEXAS 76657 FAX: 254-840-3358

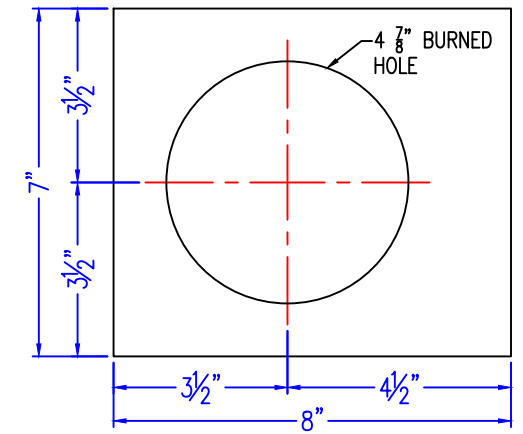
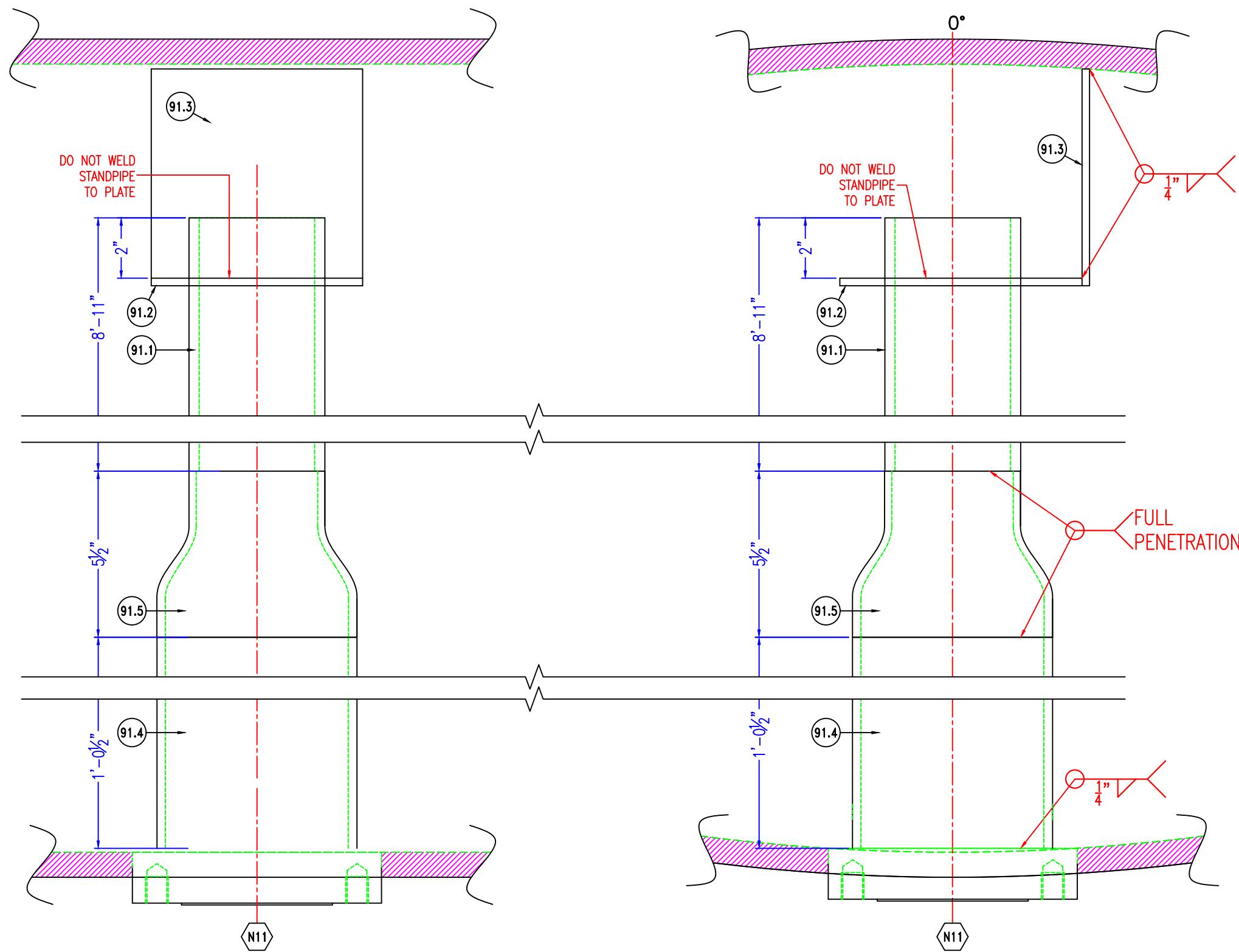
CUSTOMER: TRANSTECH ENERGY
DESCRIPTION: 30,000 GALLON STORAGE VESSEL
10'-10 1/4" ID x 39'-6" S/S HORIZONTAL VESSEL
NAME PLATE SUBASSEMBLY

SCALE: NTS W.O. NO. ---
DRAWN: WD | DATE: 2/5/18 | CUSTOMER W.O. ---
CHKD: --- DWG. NO. 753-(1) SHT S71 REV -AB-
DATE: ---

BILL OF MATERIALS

*QTY	PART#	PART NAME	DESCRIPTION	MATERIAL
1	71.1	STANDOFF	PL 1/4" THK. x 3" x 4 5/8"	SA-516-70
1	71.2	BACKING PLATE	PL 1/4" THK. x 5 5/8" x 6 3/4"	SA-516-70
1	71.3	STD NAMEPLATE	PL 1/16" THK. x 4 5/8" x 5 3/4" (ETCHED AND ROLLED B/O)	SS

THIS DRAWING IS THE PROPERTY OF TRANSTECH FABRICATION IN CONSIDERATION OF THE USE OF THIS DRAWING, THE USER AGREES THAT IT SHALL BE TREATED AS CONFIDENTIAL MATERIAL. THAT IT SHALL BE RETURNED UPON REQUEST, AND THAT THE CONTENTS THEREOF SHALL NOT BE DISCLOSED, REPRODUCED, COPIED, OR OTHERWISE DISPOSED OF DIRECTLY OR INDIRECTLY, NOR SHALL IT BE USED FOR ANY PURPOSE OTHER THAN THAT FOR WHICH IT IS SPECIFICALLY FURNISHED, EXCEPT BY WRITTEN PERMISSION OF TRANSTECH FABRICATION.



91.2 STANDPIPE HOLDER DETAIL

TOLERANCES
WELD ASS'Y +/- 1/8"

REVISIONS					
NO	DESCRIPTION	BY	DATE	CHK	DATE
A	SUBMITTED FOR APPROVAL	WD	11/26/19		
B	RESUBMITTED FOR APPROVAL	WD	3/19/20		
C	RESUBMITTED FOR APPROVAL	WD	4/2/20		
O	RELEASED FOR FABRICATION	WD	4/7/20		
AB	SHOWN AS FABRICATED	WD	6/24/20		

BILL OF MATERIALS

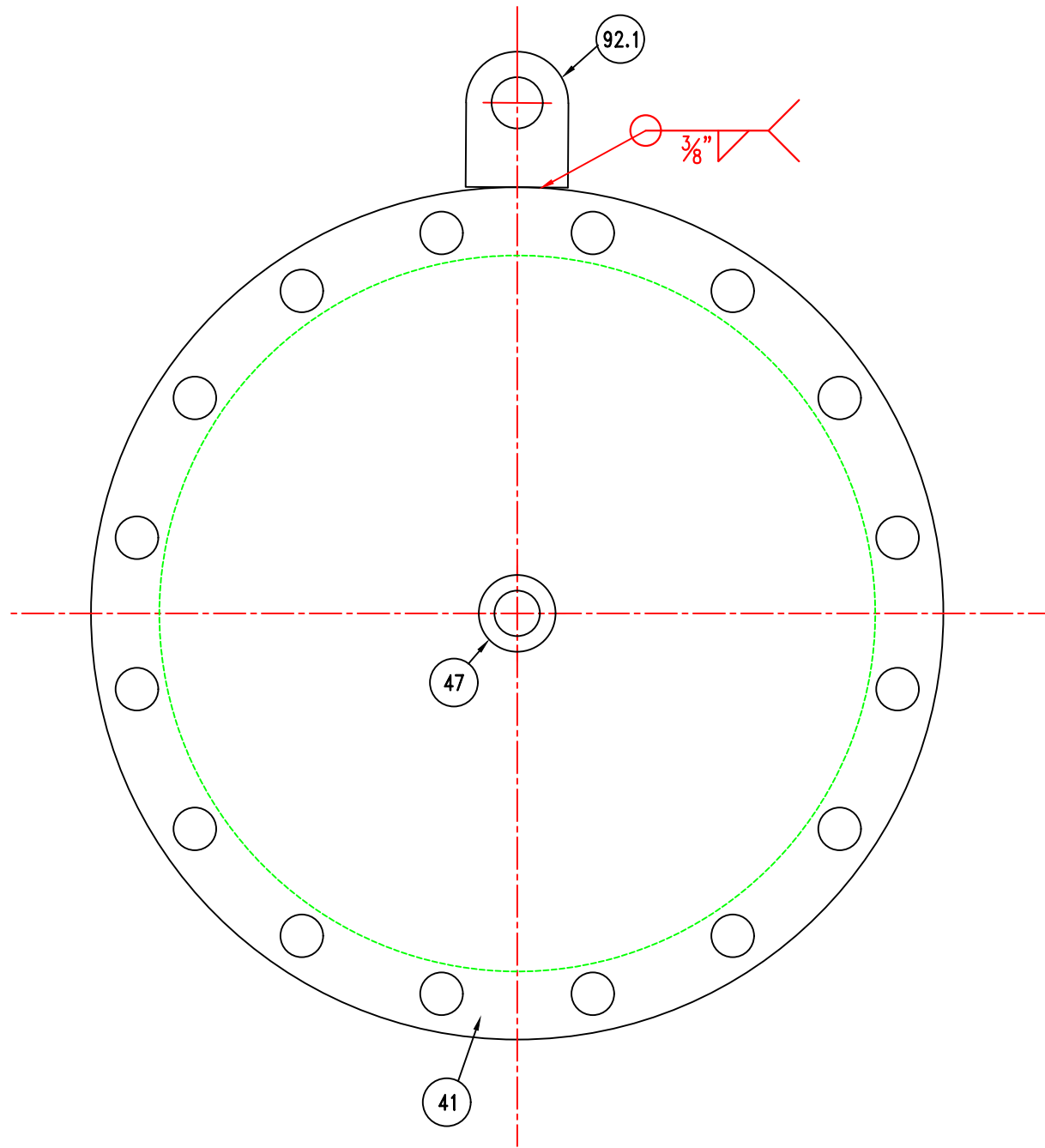
*QTY	PART#	PART NAME	DESCRIPTION	MATERIAL
1	44	FLANGE (N11)	ø3" RF STUDDED OUTLET 300# MODIFIED - 3.57" BORE	SA-105N FINE G.
1	91.1	STANDPIPE	ø4" SCH.80 PIPE 0.337" WALL - 8'-11" LG.	SA-106 B
1	91.2	STANDPIPE HOLDER	PL 1/4" THK. x 7" x 8" W/ HOLE	SA-516-70
1	91.3	STANDPIPE UPRIGHT PLATE	PL 1/4" THK. x 7" x 7 3/16"	SA-516-70
1	91.4	UPRIGHT PIPE	ø6" SCH.80 PIPE 0.432" WALL - 1'-0 1/2" LG.	SA-106 B
1	91.5	PIPE CONCENTRIC REDUCER	ø6" x 4" SCH.80 CONCENTRIC REDUCER	SA-234

THIS DRAWING IS THE PROPERTY OF TRANSTECH FABRICATION IN CONSIDERATION OF THE USE OF THIS DRAWING, THE USER AGREES THAT IT SHALL BE TREATED AS CONFIDENTIAL MATERIAL. THAT IT SHALL BE RETURNED UPON REQUEST, AND THAT THE CONTENTS THEREOF SHALL NOT BE DISCLOSED, REPRODUCED, COPIED, OR OTHERWISE DISPOSED OF DIRECTLY OR INDIRECTLY, NOR SHALL IT BE USED FOR ANY PURPOSE OTHER THAN THAT FOR WHICH IT IS SPECIFICALLY FURNISHED, EXCEPT BY WRITTEN PERMISSION OF TRANSTECH FABRICATION.

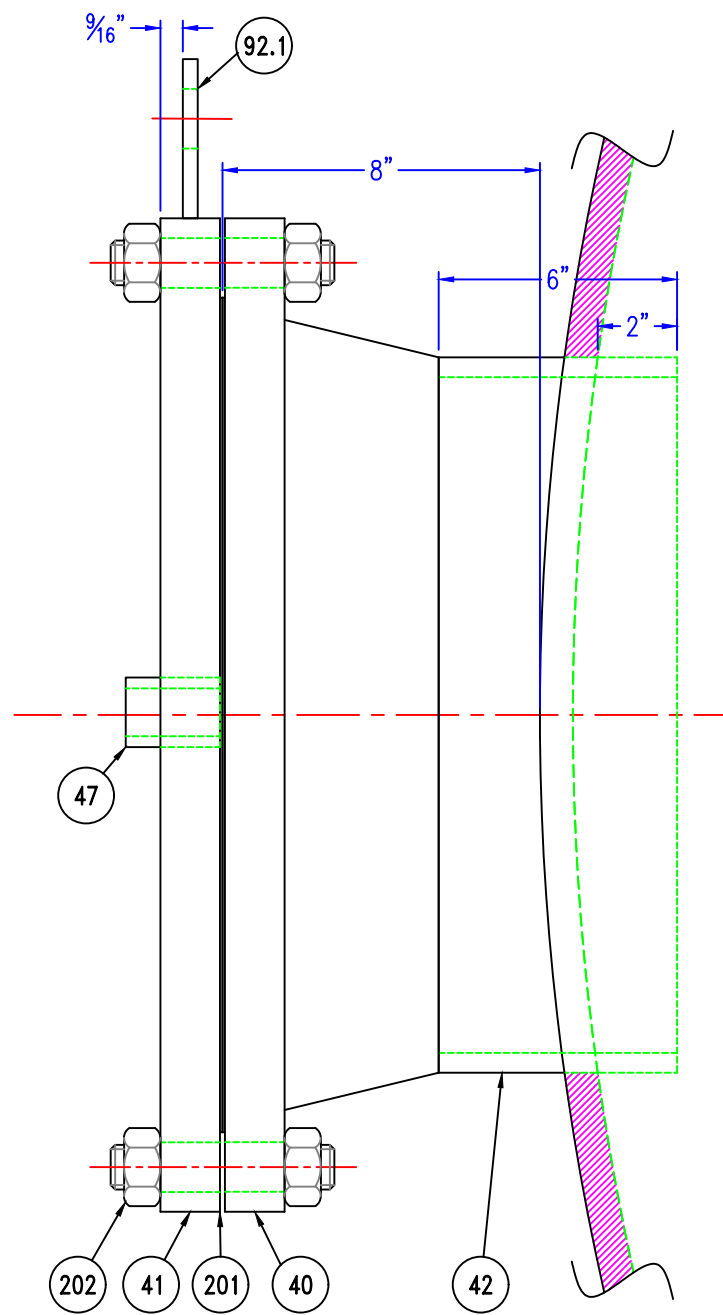
TRANSTECH FABRICATION

2201 JUDITH ROAD P.O. BOX 337 TEL: 254-840-3355
MCGREGOR, TEXAS 76657 FAX: 254-840-3358

CUSTOMER	TRANSTECH ENERGY		
DESCRIPTION	30,000 GALLON STORAGE VESSEL 10'-10 1/4" ID x 39'-6" S/S HORIZONTAL VESSEL N11 VAPOR W/ STANDPIPE ASSEMBLY		
SCALE:	NTS	W.O. NO.	---
DRAWN:	WD	DATE:	2/5/18
CHKD:		CUSTOMER W.O.	----
DATE:		DWG. NO.	753-(1)
		SHT	S91
		REV	-AB-



ELEVATION VIEW



SIDE VIEW

TOLERANCES
WELD ASS'Y +/- 1/8"

BILL OF MATERIALS

*QTY	PART#	PART NAME	DESCRIPTION	MATERIAL
1	40	FLANGE (N2)	ø18" RFWN 150# SCH.80	SA-105N FINE G.
1	41	FLANGE BLIND (N2)	ø18" RF BLIND 150#	SA-105N FINE G.
1	42	PIPE (N2)	ø18" SCH.80 PIPE 0.938" WALL - 6" LG.	SA-106 C
1	47	FULL COUPLING - (N1)	ø1" FULL COUPLING 3000# - STD LG	SA-105N FINE G.
1	92.1	LIFT LUG	PL 3/8" THK. x 3" x 4" BURNED SHAPE	SA-516-70
1	201	GASKET	ø18" GASKET 150# x 1/8" THK. SPIRAL WOUND COMPOSITE	304 SS
16	202	STUD SET**	ø1 1/8" x 6" LG STUD	SA-197-B7/SA-194-2H

THIS DRAWING IS THE PROPERTY OF TRANSTECH FABRICATION IN CONSIDERATION OF THE USE OF THIS DRAWING, THE USER AGREES THAT IT SHALL BE TREATED AS CONFIDENTIAL MATERIAL. THAT IT SHALL BE RETURNED UPON REQUEST, AND THAT THE CONTENTS THEREOF SHALL NOT BE DISCLOSED, REPRODUCED, COPIED, OR OTHERWISE DISPOSED OF DIRECTLY OR INDIRECTLY, NOR SHALL IT BE USED FOR ANY PURPOSE OTHER THAN THAT FOR WHICH IT IS SPECIFICALLY FURNISHED, EXCEPT BY WRITTEN PERMISSION OF TRANSTECH FABRICATION.

REVISIONS					
NO	DESCRIPTION	BY	DATE	CHK	DATE
A	SUBMITTED FOR APPROVAL	WD	11/26/19		
B	RESUBMITTED FOR APPROVAL	WD	3/19/20		
C	RESUBMITTED FOR APPROVAL	WD	4/2/20		
D	RELEASED FOR FABRICATION	WD	4/7/20		
AB	SHOWN AS FABRICATED	WD	6/24/20		

TRANSTECH FABRICATION

2201 JUDITH ROAD P.O. BOX 337 TEL: 254-840-3355
MCGREGOR, TEXAS 76657 FAX: 254-840-3358

CUSTOMER: TRANSTECH ENERGY
DESCRIPTION: 30,000 GALLON STORAGE VESSEL
10'-10 1/4" ID x 39'-6" S/S HORIZONTAL VESSEL
N2 MANWAY W/ BLIND & LIFT LUG ASSEMBLY

SCALE: NTS W.O. NO. ---
DRAWN: WD DATE: 2/5/18 CUSTOMER W.O. ---
CHKD: DWG. NO. 753-(1) SHT S92 REV -AB-
DATE:

BILL OF MATERIALS

CUSTOMER	TRANSTECH ENERGY
DESCRIPTION	30,000 GALLON TANK 10'-10 1/4" ID x 39'-6" S/S HORIZONTAL VESSEL

 FOR VESSEL:

753-(1)

REVISIONS | 0 | RELEASED FOR FABRICATION | DC | 12/10/13

BILL OF MATERIALS				
VESSEL BODY COMPONENTS			DETAIL DWG. 753-(1)	
HEADS			DETAIL DWG. 753-(1)	
*QTY	PART#	PART NAME	DESCRIPTION	MATERIAL
1	1.1	RIGHT HEAD	Ø130 1/4" ID x 0.742" MIN ASME 2:1 ELLIP. HEAD	SA-516-70
1	1.2	LEFT HEAD	Ø130 1/4" ID x 0.742" MIN ASME 2:1 ELLIP. HEAD	SA-516-70
CANS			DETAIL DWG. 753-(1)	
*QTY	PART#	PART NAME	DESCRIPTION	MATERIAL
4	10.1	CANS 1-4	PL 0.829" THK. x 9'-10 1/2" x 34'-3 3/4" [411.7978"] ROLLED TO 130 1/4" ID	SA-516-70
SADDLE SUBASSEMBLY			DETAIL DWG. 753-(1)-S31	
*QTY	PART#	PART NAME	DESCRIPTION	MATERIAL
1	31.1	FIXED SADDLE BASE	PL 1 1/4" THK. x 10" x 9'-4"	SA-516-70
1	31.2	SLIDING SADDLE BASE	PL 1 1/4" THK. x 10" x 9'-4"	SA-516-70
2	31.3	WEB	PL 3/4" THK. x 3'-1 3/4" x 9'-7 3/4" BURNED SHAPE	SA-516-70
4	31.4	OUTSIDE RIB	PL 3/4" THK. x 8 1/4" x 3'-1 13/16"	SA-516-70
4	31.5	INSIDE RIB	PL 3/4" THK. x 8 1/4" x 9 1/8"	SA-516-70
♦2	72	GROUNDING LUG	PL 1/4" THK. x 2 1/2" x 3" w/BURNED HOLE	SA-516-70
* QTY. SHOWN IS FOR 1 VESSEL (2 SADDLES)				
FITTINGS				
*QTY	PART#	PART NAME	DESCRIPTION	MATERIAL
1	40	FLANGE (N2)	Ø18" RFWN 150# SCH.80	SA-105N FINE G.
1	41	FLANGE BLIND (N2)	Ø18" RF BLIND 150#	SA-105N FINE G.
1	42	PIPE (N2)	Ø18" SCH.80 PIPE 0.938" WALL - 6" LG.	SA-106 C
1	43	FLANGE (N3)	Ø4" RF STUDDED OUTLET 300#	SA-105N FINE G.
4	44	FLANGE (N5, N9, N10, N11)	Ø3" RF STUDDED OUTLET 300# MODIFIED - 3.57" BORE	SA-105N FINE G.
2	45	FLANGE (N12A, N12B)	Ø2" RFLWN 300# 9" LG.	SA-105N FINE G.
1	46	HALF COUPLING - (N7)	Ø2 1/2" THREADED 3000# - STD LG	SA-105N FINE G.
1	47	FULL COUPLING - (N1)	Ø1" FULL COUPLING 3000# - STD LG	SA-105N FINE G.
1	48	FULL COUPLING - (N6)	Ø3/4" x 3" FULL COUPLING 6000# - 3" LG	SA-105N FINE G.
1	49	FULL COUPLING - (N8)	Ø1/2" x 7" FULL COUPLING 3000# - 7" LG	SA-105N FINE G.
LUGS, CLIPS, & BRACKETS				
SUB# 71 NAMEPLATE SUBASSEMBLY			DETAIL 753-(1)-S71	
*QTY	PART#	PART NAME	DESCRIPTION	MATERIAL
1	71.1	STANDOFF	PL 1/4" THK. x 3" x 5 3/8"	SA-516-70
1	71.2	BACKING PLATE	PL 1/4" THK. x 6 X 7 1/2"	SA-516-70
1	71.3	STD NAMEPLATE	PL 1/16" THK. x 5 1/2" x 7" (ETCHED AND ROLLED B/O)	SS
SUB# 72 STD GROUNDING LUG WELDMENT			DETAIL DWG. 753-(1)-S31	
*QTY	PART#	PART NAME	DESCRIPTION	MATERIAL
2	72	GROUND LUG	PL 1/4" THK. x 2 1/2" x 3" w/HOLE	SA-516-70
SUB# 91 N11 VAPOR WITH STANDPIPE ASSEMBLY			DETAIL DWG. 753-(1)-S91	
*QTY	PART#	PART NAME	DESCRIPTION	MATERIAL
♦1	44	FLANGE (N11)	Ø3" RF STUDDED OUTLET 300# MODIFIED - 3.57" BORE	SA-105N FINE G.
1	91.1	STANDPIPE	Ø4" SCH.80 PIPE 0.337" WALL - 8'-11" LG.	SA-106 B
1	91.2	STANDPIPE HOLDER	PL 1/4" THK. x 7" x 8" W/ HOLE	SA-516-70
1	91.3	STANDPIPE UPRIGHT PLATE	PL 1/4" THK. x 7" x 7 3/16"	SA-516-70
1	91.4	UPRIGHT PIPE	Ø6" SCH.80 PIPE 0.432" WALL - 1'-0 1/2" LG.	SA-106 B
1	91.5	PIPE CONCENTRIC REDUCER	Ø6" x 4" SCH.80 CONCENTRIC REDUCER	SA-234
SUB# 92 MANWAY W/ BLIND & LIFT LUG			DETAIL DWG. 753-(1)-S92	
*QTY	PART#	PART NAME	DESCRIPTION	MATERIAL
♦1	40	FLANGE (N2)	Ø18" RFWN 150# SCH.80	SA-105N FINE G.
♦1	41	FLANGE BLIND (N2)	Ø18" RF BLIND 150#	SA-105N FINE G.
♦1	42	PIPE (N2)	Ø18" SCH.80 PIPE 0.938" WALL - 6" LG.	SA-106 C
♦1	47	HALF COUPLING - (N1)	Ø1" FULL COUPLING 3000# - STD LG	SA-105N FINE G.
1	92.1	LIFT LUG	PL 3/8" THK. x 3" x 4"	SA-516-70
♦1	201	GASKET	Ø18" GASKET 150# x 1/8" THK. SPIRAL WOUND COMPOSITE	304 SS
♦16	202	STUD SET**	Ø1 1/8" x 6" LG STUD	SA-197-B7/SA-194-2H
GASKETS & HARDWARE				
*QTY	PART#	PART NAME	DESCRIPTION	MATERIAL
1	201	GASKET	Ø18" GASKET 150# x 1/8" THK. SPIRAL WOUND COMPOSITE	304 SS
16	202	STUD SET**	Ø1 1/8" x 6" LG STUD	SA-197-B7/SA-194-2H
*QTY=QTY SHOWN FOR (1) VESSEL				
#QTY=QTY SHOWN FOR (1) SUBASSEMBLY				
(QTY)=INDICATES A DUPLICATE ENTRY (DISREGARD NOTED ENTRY)				
**STUD SET=1 STUD (OR EYEBOLT) AND 2 NUTS UNLESS NOTED OTHERWISE				